

ALL IN ONE

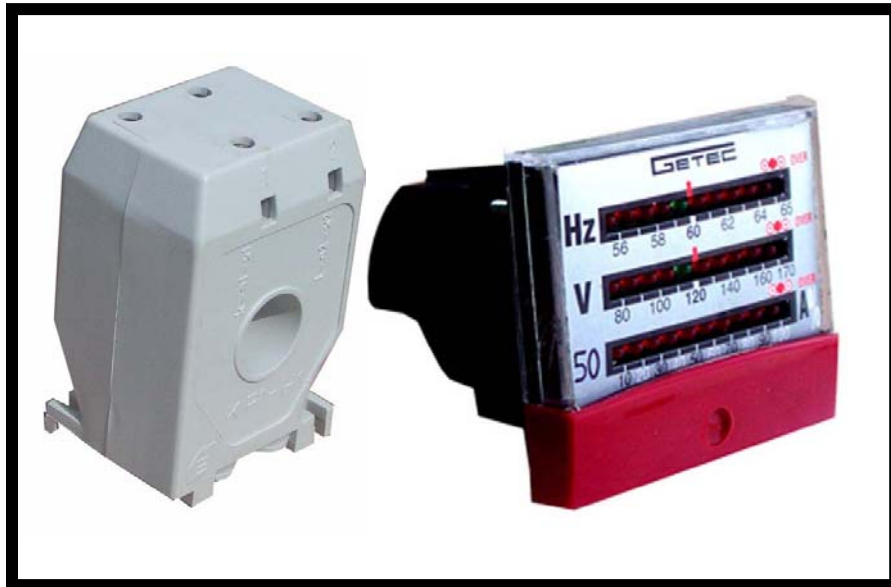
DIGITAL PANEL METER

BY **GETEC INC**

VOLTAGE – FREQUENCY – AMPERAGE

OPTIONAL
VOLTAGES

115
208
230
240
416
480



OPTIONAL
AMPERAGES

80
100
160
200

FEATURES

Voltage, Frequency, and Amperage in one small Frame

A Low Cost Solution for Generator monitoring

Bright red light emitting diodes

No exterior power supply required

Voltage – 120 VAC

Standard Frequency – 60 Hz

Standard Amp – 50 Amps

Space saving display - 2 ¾" * 2 ½"

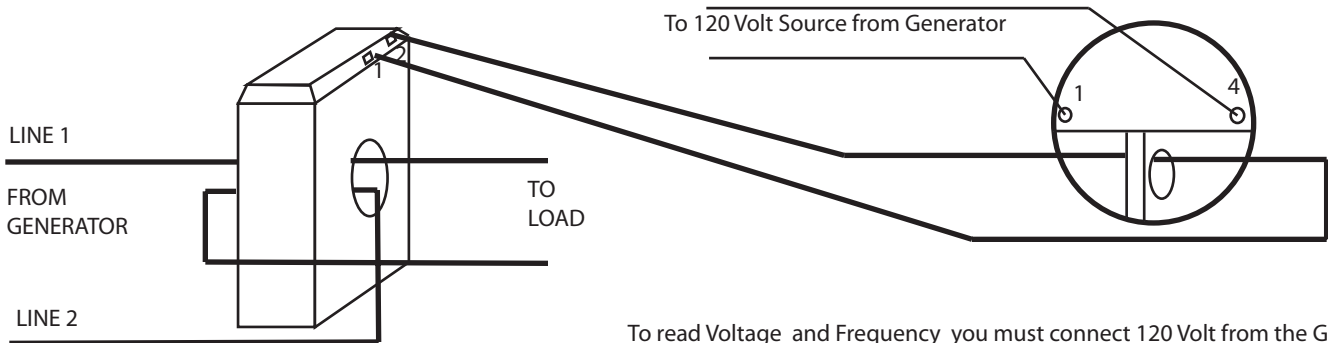
Easy 2 wire hookup

GETEC INC

624 HARRIS ROAD
FERNDAL, NY 12734

Tel.(845)-292-0800
<http://www.geteck.com>
E-Mail sales@getec.com

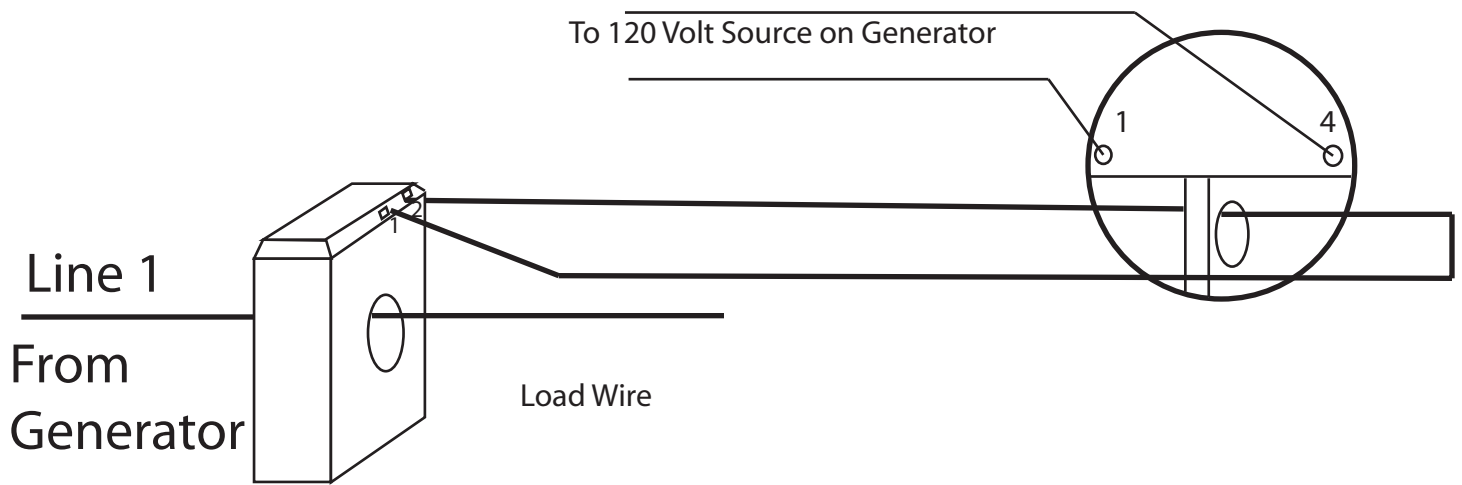
120/240 Volt A I O Meter connection FOR ABOVE 50 AMP METERS



To read Voltage and Frequency you must connect 120 Volt from the Generator to the Meter as shown

To read the Amperage the Wires to the Receptacle (Load) must go thru the Hole on the TRANSFORMER in Oposing Direction

120 Volt A I O Meter connection FOR ABOVE 50 AMP METERS

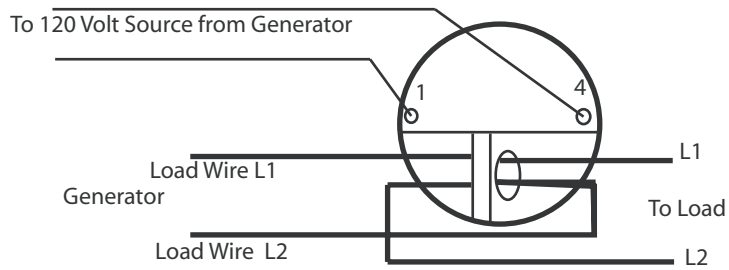


Neutral

To read Voltage and Frequency you must connect 120 Volt from the Generator to the Meter as shown

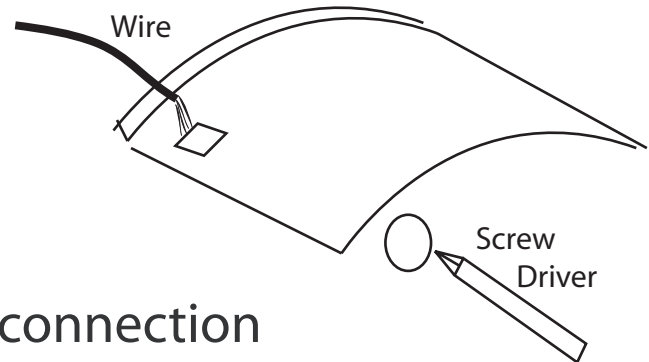
To read the Amperage the Wire to the Receptacle must go thru the Hole on the TRANSFORMER

120/240 Volt A I O Meter connection

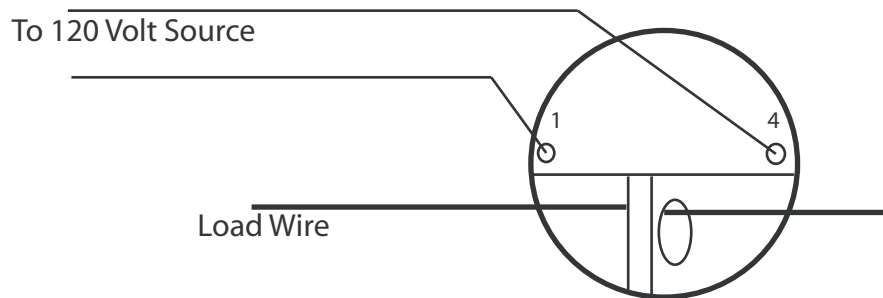


To read Voltage and Frequency you must connect 120 Volt from the Generator to the Meter as shown

To read the Amperage the Wires to the Receptacle (Load) must go thru the Hole on the Back of the Meter in Oposing Direction

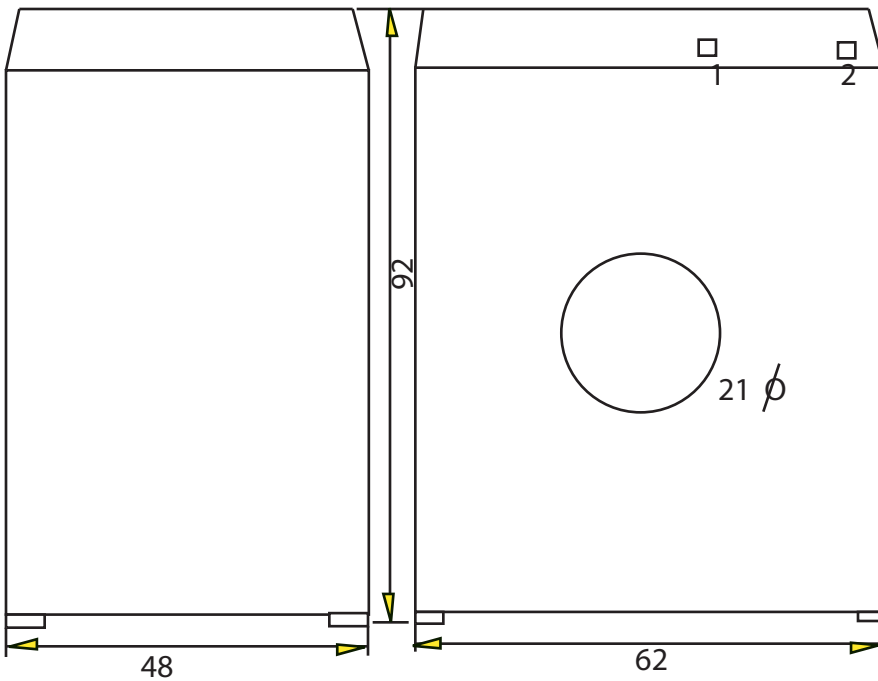
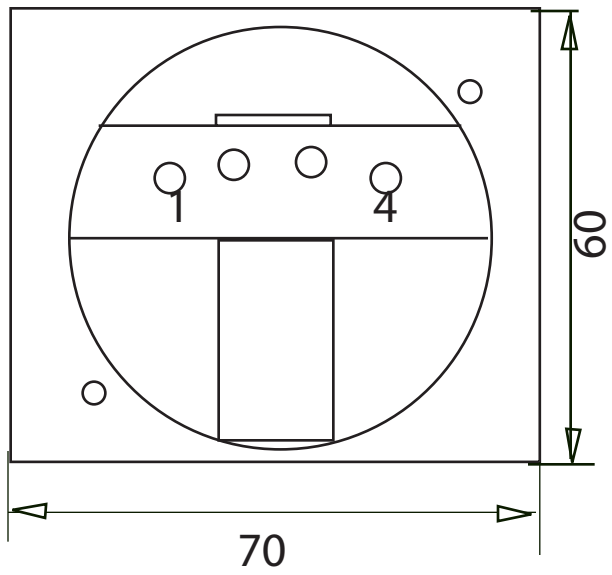
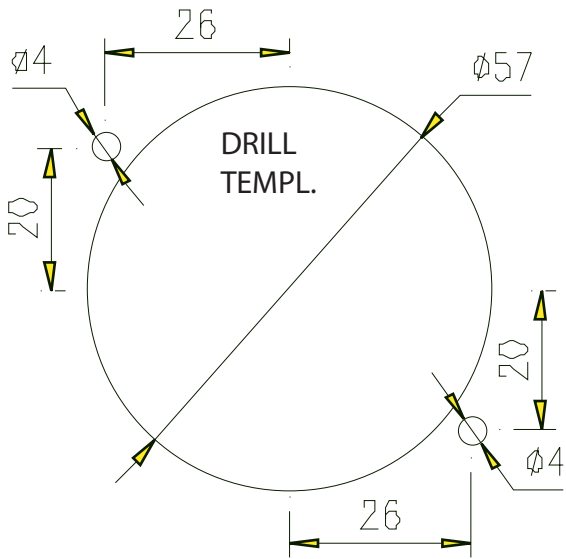
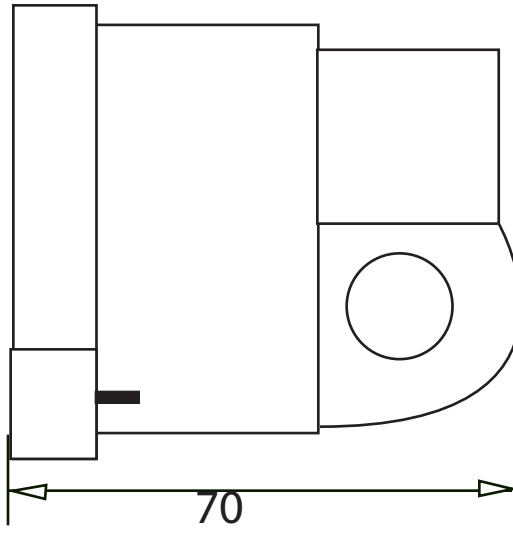
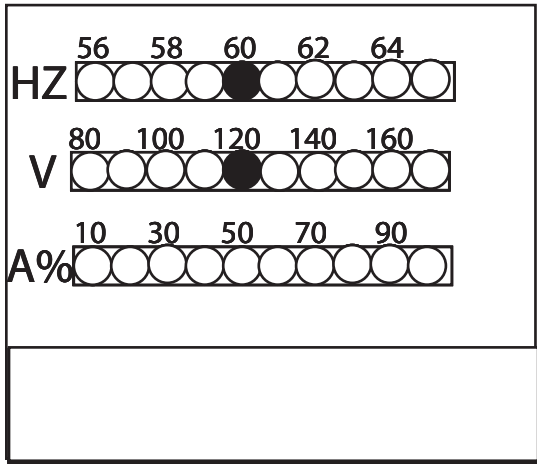


120 Volt A I O Meter connection



To read Voltage and Frequency you must connect 120 Volt from the Generator to the Meter as shown

To read the Amperage the Wire to the Receptacle must go thru the Hole on the Back of the Meter



HI AMP
 TRANSFORMER