

1 Phase

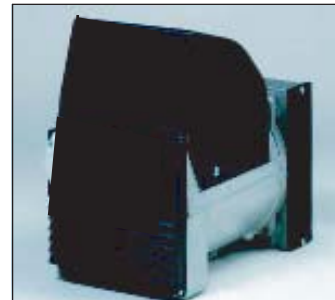
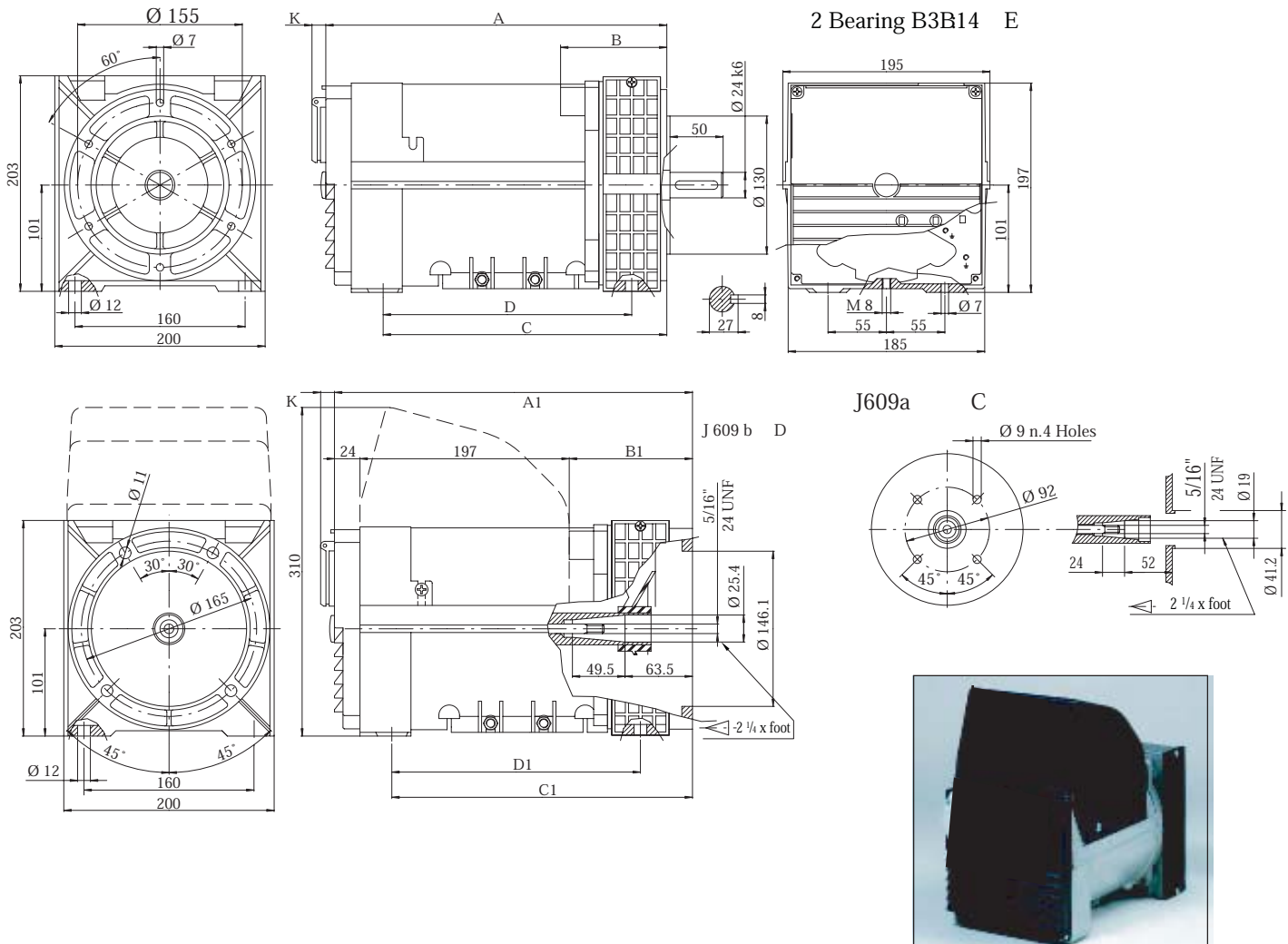
2 Pole

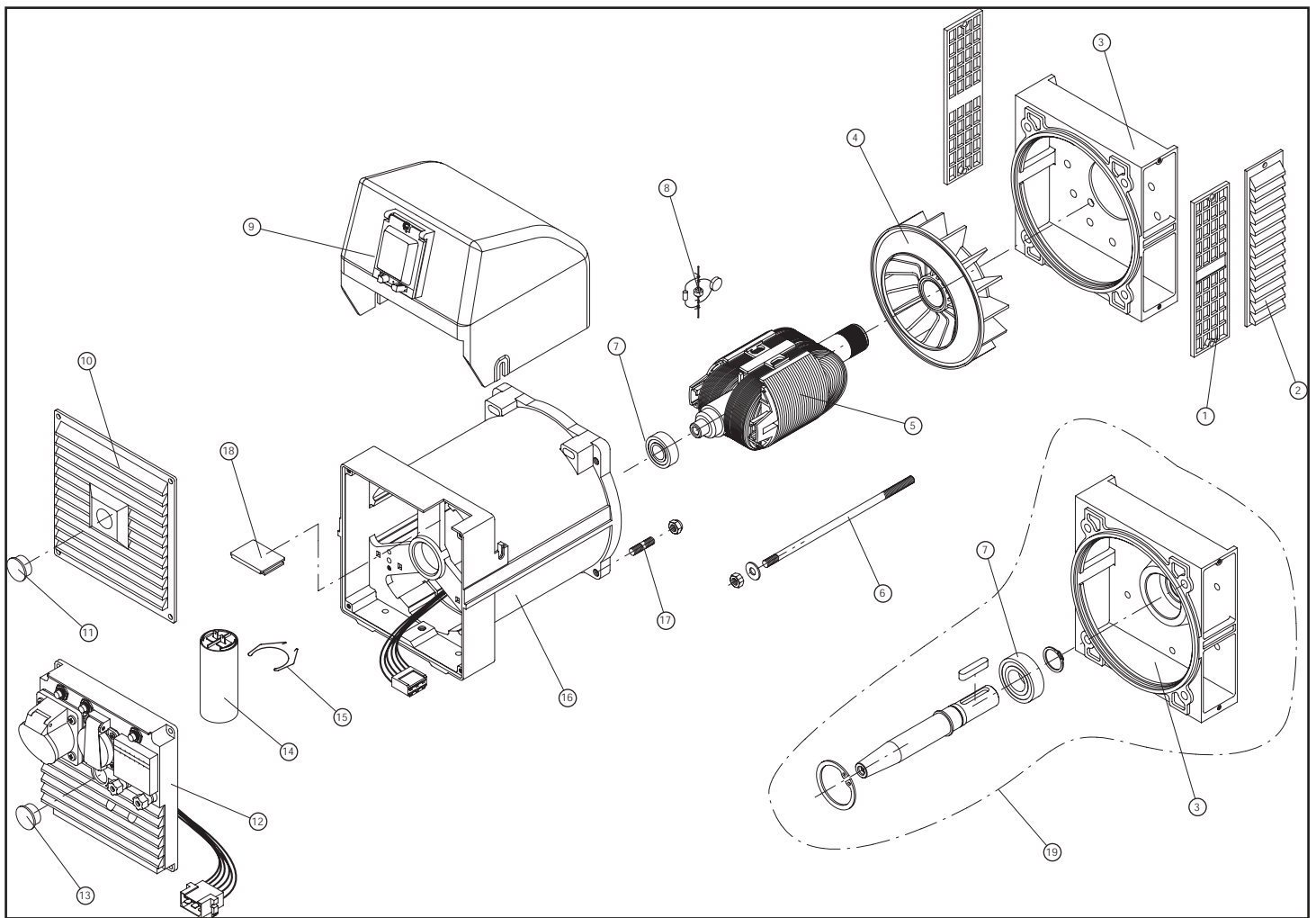
ER

TECHNICAL DATA

MODEL	60 Hz - 3600 r.p.m.		50 Hz - 3000 r.p.m.		WEIGHT (kg)	DIMENSIONS							
	POWER (kVA)	η 4/4 cos ϕ = 1	POWER (kVA)	η 4/4 cos ϕ = 1		J609a				J609b			
		(%)		(%)		A	B	C	D	A1	B1	C1	D1
ER 2 SCH	3.2	76	2.6	75	16.7	298	93	244	212	314	93	260	212
ER 2 SCT	3.7	76	3.0	75	17	298	93	244	212	314	93	260	212
ER 2 CAH	4.3	78	3.5	77	20	321	116	267	235	337	116	283	235
ER 2 CA	5.2	78	4.2	77	20.4	321	116	267	235	337	116	283	235
ER 2 CBT	6	79	4.8	78	21.3	321	116	267	235	337	116	283	235

DIMENSIONS





ITEM	PART NO	DESCRIPTION	ITEM	PART NO	DESCRIPTION
1	266062001	Front Panel IP21	12(*)	266061004	Blank EK end cover
2	266042001	Front Panel IP23		7022...	EK single-phase panel (see price list)
3(*)	4061011023	Front Casting "E" J609A	13	266064007	Plug (EK)
	4061011031	Front Casting "E" J609B	14(*)	300100020	Capacitor 20 µF 450V
	4061011291	Front Casting "E" c.23-		300100022	Capacitor 22 µF 450V
	4061011011	Front Casting "E"(B3/B14		300100025	Capacitor 25 µF 450V
4(*)	266083001	Fan (with hole d.30)		300100030	Capacitor 30 µF 450V
5(*)	R521226050..	Rotor ER 3.2		300100035	Capacitor 35 µF 450V
	R521226060..	Rotor ER 3.7	15	17900540	Capacitor block spring (d. 35-40)
	R521226072..	Rotor ER 3.0		179005401	Capacitor block spring (d. 45-50)
	R521226095..	Rotor ER 4.3	16(*)	661203050...	Housing + stat. ER 3.2 (voltage?)
	R521266105..	Rotor ER 5.2		661203060...	Housing + stat. ER 3.7 (voltage?)
	R521266115..	Rotor ER 6.0		661203072...	Housing + stat. ER 4.3 (voltage?)
6(*)	17600...	Shaft bolt		661203095...	Housing + stat. ER 5.2 (voltage?)
7	1750016004	Bearing - 6004 2RS C3		661203105...	Housing + stat. ER 6.0 (voltage?)
8	79060	Diode + Varistor + EMC	17	176006030	Stay bolt - M8x30
9(*)	7065...	ER panel (see price list)	19	300005	KIT: from J609B to B3/B14
10	266022004	IP23 end Panel (GS100)			
11	266064008	Plug (KS)			