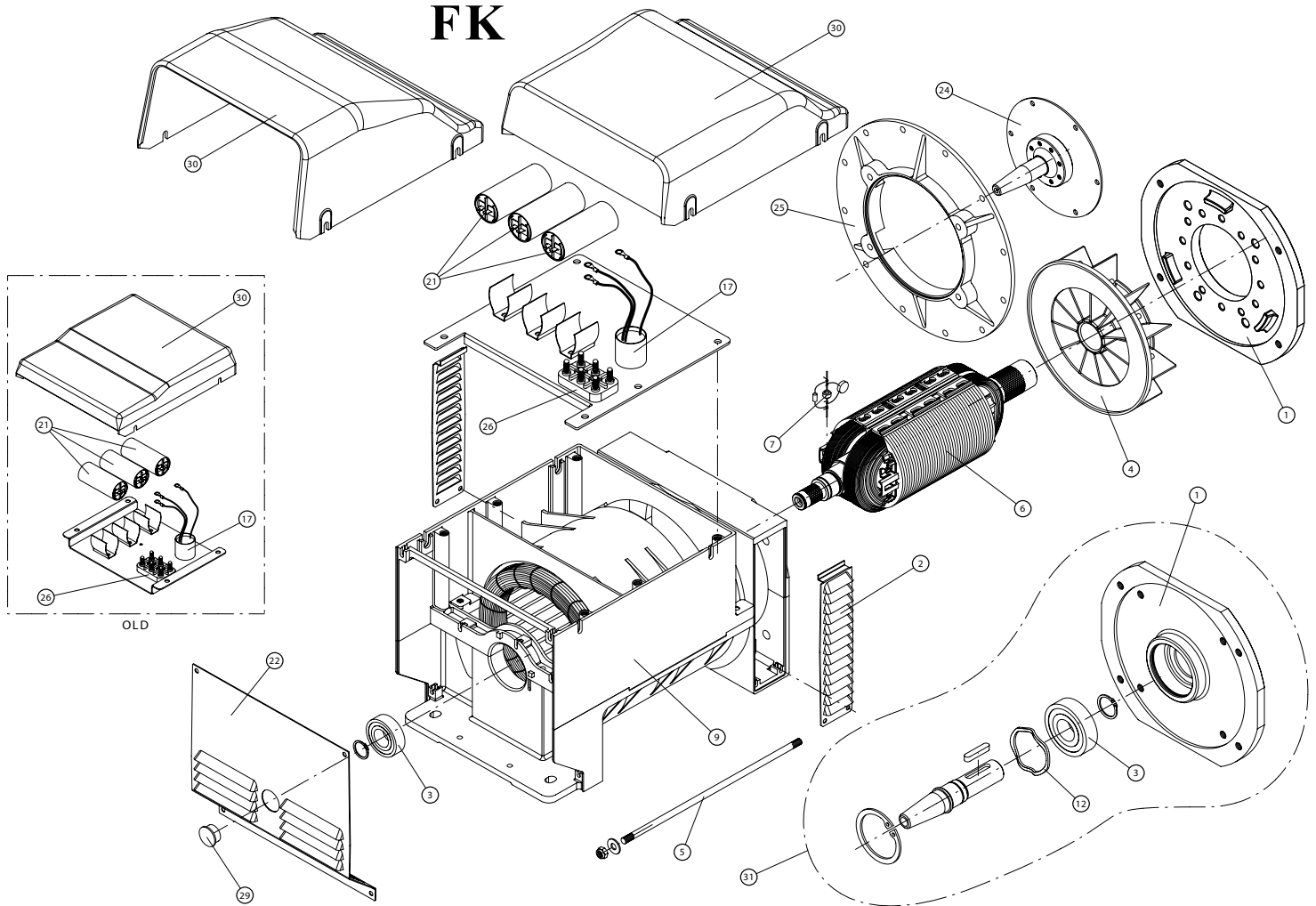


# FK



ITEM	Part Number	DESCRIPTION			DESCRIPTION			
1	406101125	Endplate B3 B9 diam.105	21	300100030	Capacitor 30µF 450V			
	4061011262	Endplate B3 B9 diam.125		300100035	Capacitor 35µF 450V			
	4061011251	Endplate J609B diam.146		300100040	Capacitor 40µF 450V			
	406101126	Endplate J609B diam.163	22 (*)	165002010	Rear Panel IP23 F120			
	4061011261	Endplate J609B diam.177		165002012	Rear Panel IP23 FKM/FT			
	406101127	Eneplate B14		70212..	FK panel			
2	165002009	IP23 front Panel		70200..	FKM panel			
	165002011	IP21 front Panel	24	179021065	Drive Plate 6 1/2 for Taper 35			
3	1750016306	Bearing 6306 2RS1 C3		1790210651	Drive Plate 6 1/2 for Taper 30			
	1750016206	Bearing 6206 2RS1 C3		179021075	Drive Plate 7 1/2 for Taper 35			
4	216002001	Fan for 37 diam. hole		1790210751	Drive Plate 7 1/2 for Taper 30			
	216002002	Fan for 42 diam. hole	25	406101132	Bell Housing SAE4			
5	176001345	Shaft stay bolt 345x5/16 24UNF		406101131	Bell Housing SAE5			
	176007372	Shaft stay bolt 372 M10X1.5	26	30600106	Terminal board M6			
6(*)	526130140..	FK2 rotor 12.5kVA	29	266064018	Plug for rear grid			
	526130160..	FK2 rotor 15kVA	30	266094004	FK-FT low top cover			
7	79165	Diode + Varistor		216003001	FKM-FT high top cover			
9(*)	666500140..	FK2 stator 12.5kVA		26609400401	FK-FT low top cover "old"			
	666500160..	FK2 stator 15kVA		266094005	FKM-FT high top cover "old"			
12	177003072	Spring washer diam.72	31	300018	Kit: from J609b to B3B14			
17	30010205	EMC filter						