

## 3 Phase

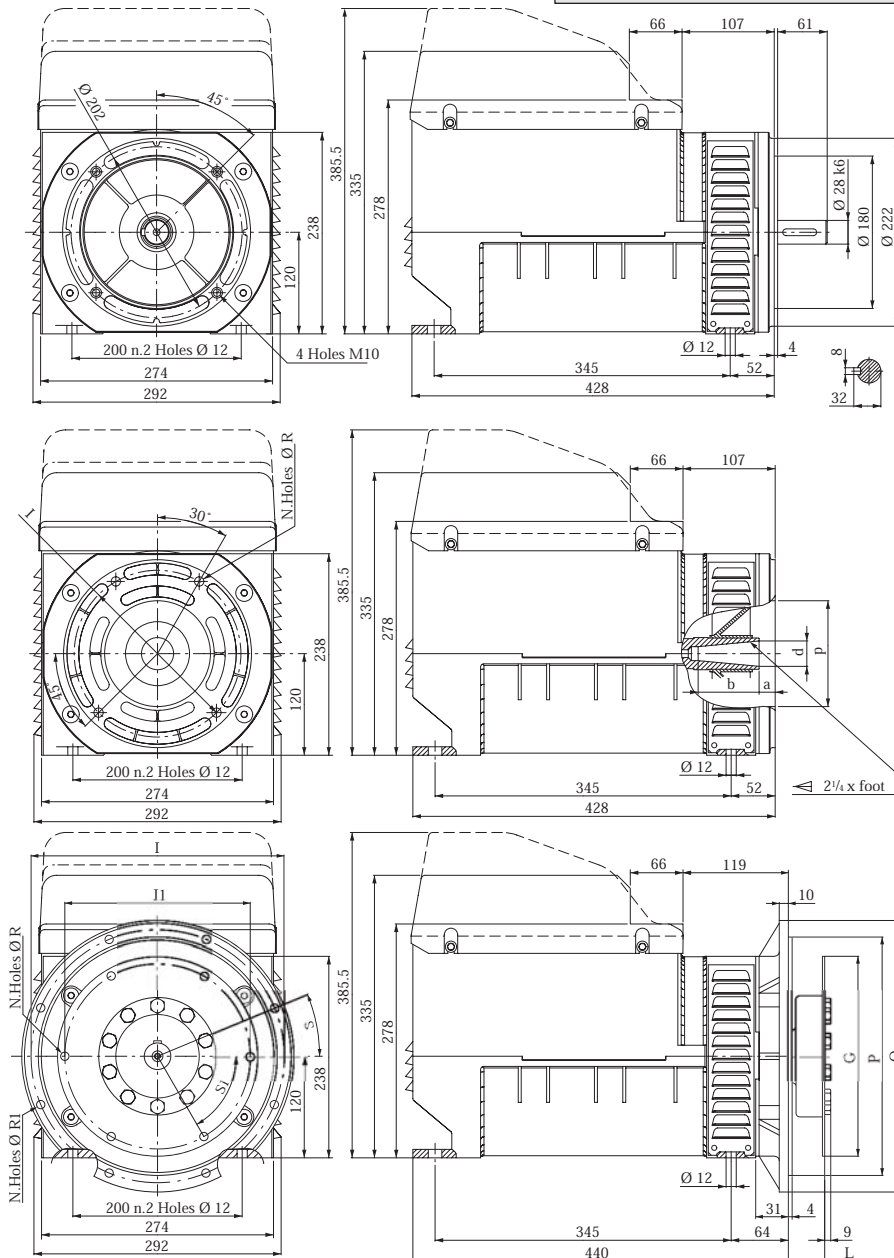
## 2 Pole

## FT

### Technical Data

MODEL	60 Hz - 3600 r.p.m.		50 Hz - 3000 r.p.m.		WEIGHT (kg)
	POWER (kVA)	cosφ=.8 (%)	POWER (kVA)	cosφ=.8 (%)	
FT 2 MZS	15	84	12	82	42
FT 2 MAS	17	85	13.5	83	51
FT 2 MBS	20	86	16	85	60

### Dimensions



2 BEARING B3/B14



STYLE J609b

Taper	Shaft		
	d	a	b
25.4	25.4	63.5	48
35	30	39	72

End Bell			
I	p	Holes	R
165	146.1	4	11
197	163.6	4	11
197	177.8	4	11

STYLE  
SAE

SAE	Bell Housing					
	Q	P	I	Holes	R1	S
4	405	362	381	12	11	15°
5	358	314.3	333.4	8	11	22°30'

SAE	Drive Plate					
	L	G	I1	Holes	R	S1
6.5	30.2	215.9	200	6	9	60°
7.5	30.2	241.3	222.2	8	9	45°