

## 3 Phase

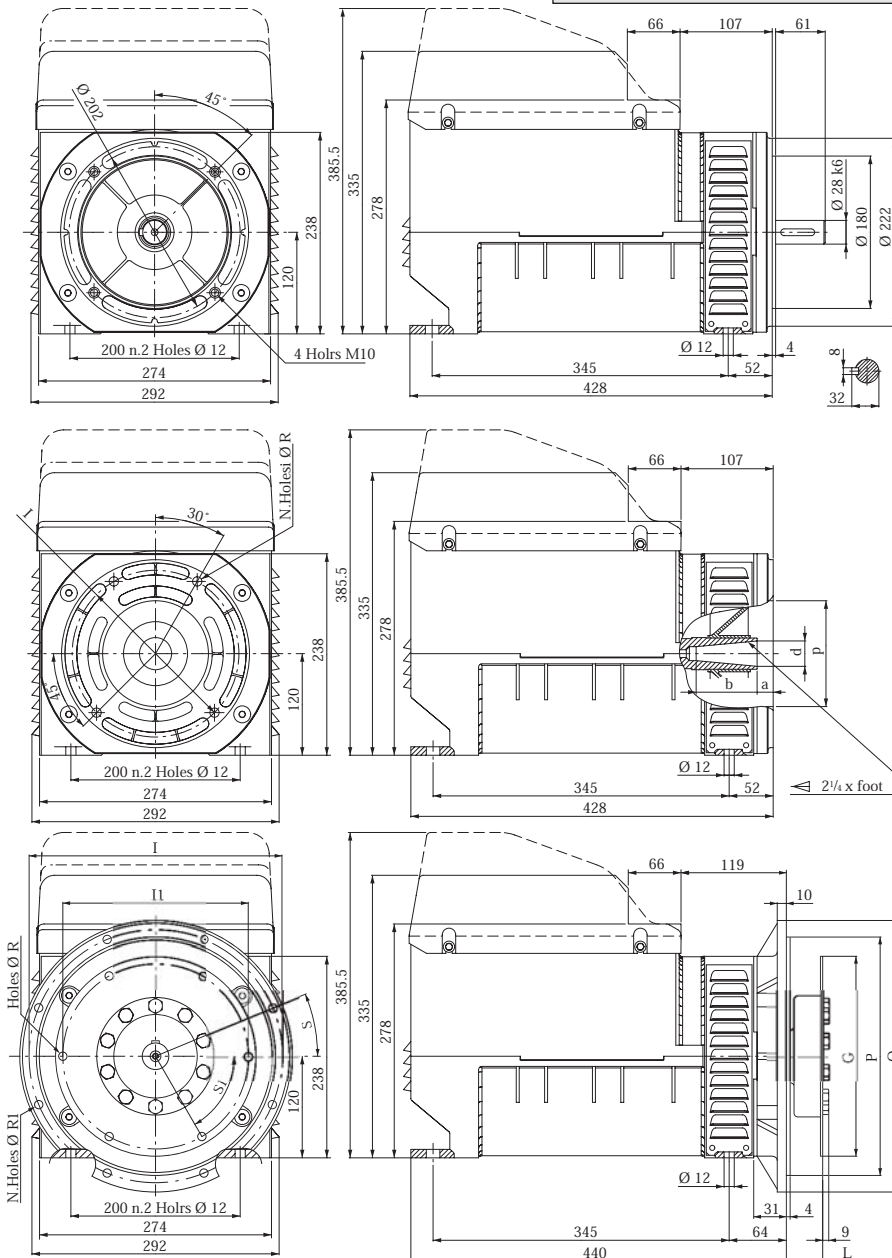
## 4 Pole

## FT4

### Technical Data

MODEL	60 Hz - 1800 r.p.m.		50 Hz - 1500 r.p.m.		WEIGHT (kg)
	POWER (kVA)	cosφ=0.8 (%)	POWER (kVA)	cosφ=0.8 (%)	
FT 4 MAS	8.7	78	7	77	33
FT 4 MBS	11.2	80	9	79	40
FT 4 MCS	13.7	82	11	81	50
FT 4 MDS	16.2	84	13	83	60

### Dimensions



2 Bearing B3/B14



J609b

Taper	Shaft		
	d	a	b
25.4	25.4	63.5	48
35	30	39	72

Endbell			
I	p	Holes	R
165	146.1	4	11
197	163.6	4	11
197	177.8	4	11

SAE

SAE	Bell Housing					
	Q	P	I	Holes	R1	S
4	405	362	381	12	11	15°
5	358	314.3	333.4	8	11	22°30'

SAE	Clutch Plate					
	L	G	I1	Holes	R	S1
6.5	30.2	215.9	200	6	9	60°
7.5	30.2	241.3	222.2	8	9	45°