

## 1 Phase

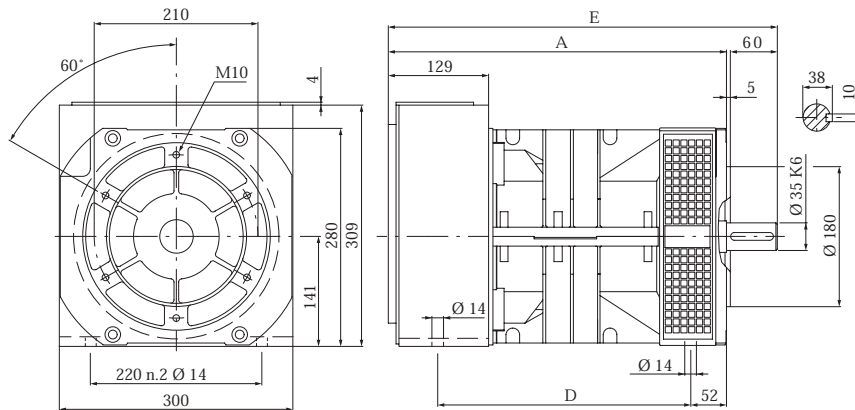
## 2 Pole

## GK2

### TECHNICAL DATA

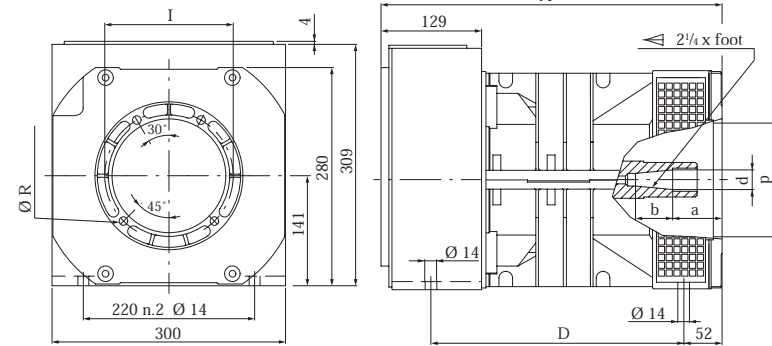
MODEL	60 Hz - 3600 r.p.m.		50 Hz - 3000 r.p.m.		Weight	
	POWER (kVA)	cosφ= 1 (%)	POWER (kVA)	cosφ= 1 (%)	2 Bearing (kg)	SAE (kg)
GK2MAL	18.5	80	15	79	68	76
GK2MBL	22	82	17.5	80	88	96

### DIMENSIONS



2 BEARING B3/B14

Type	A	D	E
GK-M/ GT-M	498	382	563

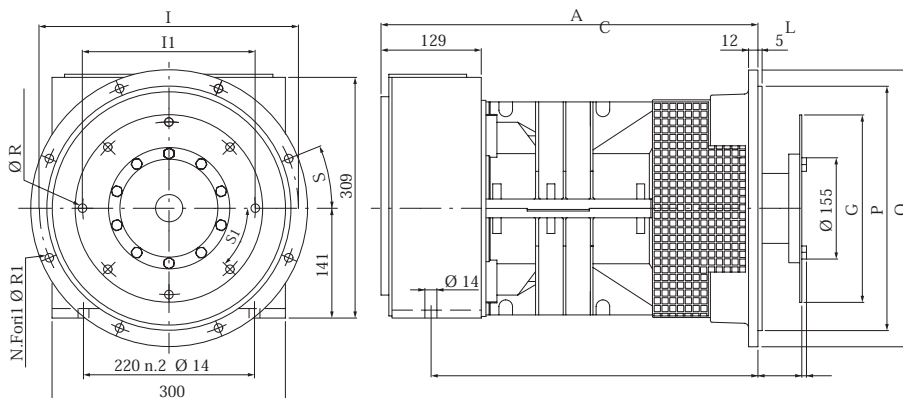


STYLE J609B

Type	A	D
GK-M/ GT-M	498	382

Shaft			cod.
d	a	b	
35	12.4	71	F

Flange			
I	p	NHoles	R
165	146.1	4	11
197	163.6	4	11
197	177.8	4	11



STYLE SAE

Type	A	C
GK-M/ GT-M	545	481

SAE	Flange					
	Q	P	I	N.Hols	R1	S
4	405	362	381	12	11	15°
5	358	314.3	333.4	8	11	22°30'

SAE	Disk					
	L	G	II	N.Hols	R	S1
6.5	30.2	215.9	200	6	9	60°
7.5	30.2	241.3	222.2	8	9	45°
8	62	263.5	244.5	6	11	60°
10	53.8	314.3	295.3	8	11	45°