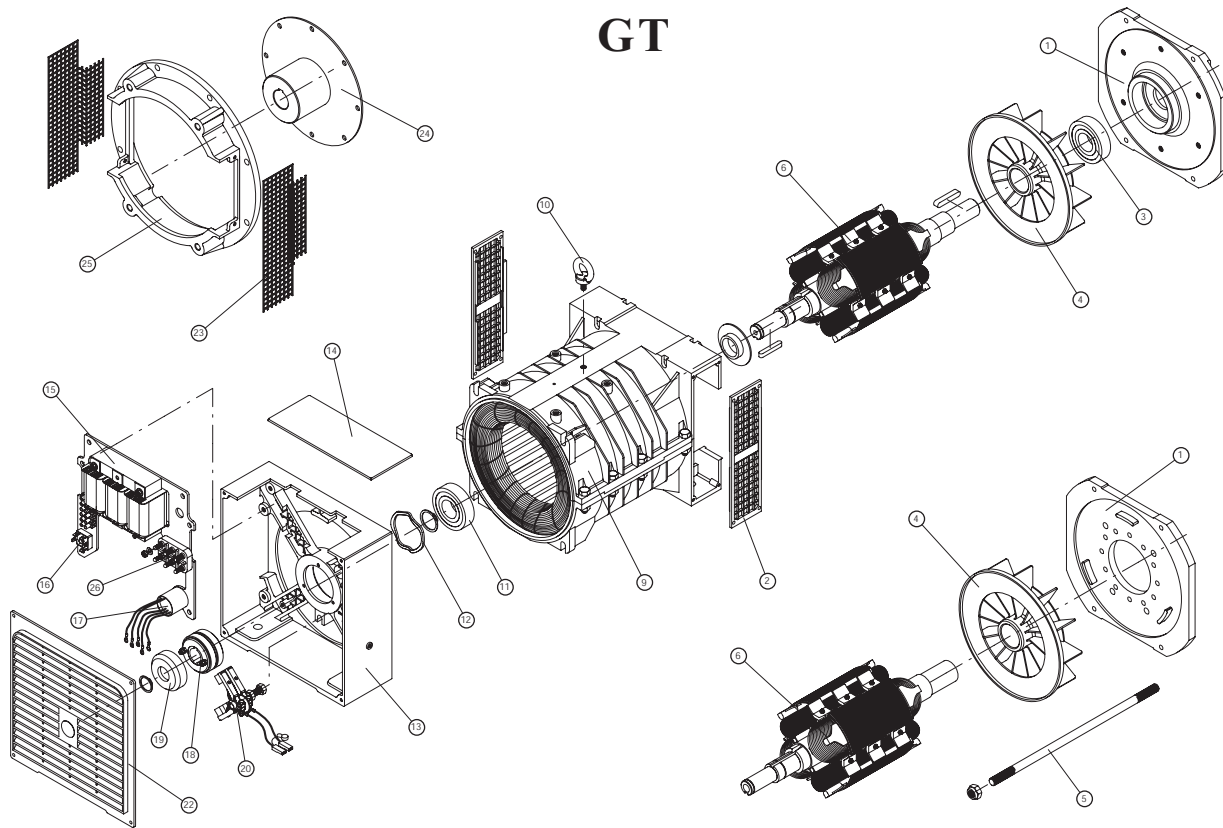


# GT



Item		DESCRIPTION	Item	DESCRIPTION
1	406101120	Flange B3 B9 diam.105	9	672460070.. Stator GT4 6.5kVA (voltage?)
	4061011201	Flange J609B diam.146	672460085..	Stator GT4 8.0kVA (voltage?)
	4061011211	Flange J609B diam.177	672460105..	Stator GT4 10.0kVA (voltage?)
	4061011212	Flange B3 B9 diam.125	672460145..	Stator GT4 13.5kVA (voltage?)
	406101122	Flange B14 G series	672460170..	Stator GT4 16.0kVA (voltage?)
2	266062004	IP21 front grid for GT	10	179306001 Lifting ring M8
3	1750016308	Bearing 6308 2RS1 C3	179306002	Lifting ring M10
4	266083003	Fan with dia.44 hole	11	1750016307 Bearing 6307 2RS1 C3
	266083005	Fan with dia.49 hole for cone 38	12	177003080 Spring washer diam.80
5	176001330	Shaft bolt 330x5/16 24UNF	13	406101206 Rear shield G series
	176001345	Shaft bolt 345x5/16 24UNF	14	266044007 Rear shield cover G series
	176003380	Shaft bolt 380xM14	5(*)	308263013.. Compound K13.5 2 poles (voltage?)
	176003417	Shaft bolt 417xM14	308263016..	Compound K16.5 2 poles (voltage?)
	176003476	Shaft bolt 476xM14	308263022..	Compound K22.0 2 poles (voltage?)
6(*)	R533210085E	GT2 rotor 13.5kVA B3/B14	308263027..	Compound K27.0 2 poles (voltage?)
	R533210105E	GT2 rotor 16.5kVA B3/B14	308403006..	Compound K 6.5 4 poles (voltage?)
	R533210145E	GT2 rotor 22kVA B3/B14 - SAE	308403008..	Compound K 8.0 4 poles (voltage?)
	R533210170E	GT2 rotor 27kVA B3/B14 - SAE	308403010..	Compound K10.0 4 poles (voltage?)
	R533217085..	GT2 rotor 13.5kVA (coupling.?)	308403013..	Compound K13.5 4 poles (voltage?)
	R533217105..	GT2 rotor 16.5kVA (coupling.?)	308403016..	Compound K16.0 4 poles (voltage?)
	R533217145..	GT2 rotor 22kVA (coupling.?)	16	3004020251200Three-phase rectifying bridge 25A 1200V
	R533217170..	GT2 rotor 27kVA (coupling.?)	17	30010202 EMC filter for G series (22nF)
	R532440070E	GT4 rotor 6.5kVA B3/B14	18	3065006927121Slip ring 69x27x12
	R532440085E	GT4 rotor 8.0kVA B3/B14	19	266064003 Slip ring cover dia.69
	R532440105E	GT4 rotor 10.0kVA B3/B14	20	40660202 Brush-holder G series
	R532440145E	GT4 rotor 13.5kVA B3/B14	22	266022005 Rear IP23 grid G series
	R532440170E	GT4 rotor 16.0kVA B3/B14	23	165002005 Grid for SAE5 flange
	R532447070..	GT4 rotor 6.5kVA (coupling.?)	165002006	Grid for SAE3-4 flange
	R532447085..	GT4 rotor 8.0kVA (coupling.?)	24	179001065 Disk 6 1/2
	R532447105..	GT4 rotor 10.0kVA (coupling.?)	179001075	Disk 7 1/2
R532447145..	GT4 rotor 13.5kVA (coupling.?)	179001080	Disk 8	
R532447170..	GT4 rotor 16.0kVA (coupling.?)	179001100	Disk 10	
9 (*)	673390085..	Stator GT2 13.5kVA (voltage?)	25	406101114 Flange SAE4 G series
	673390105..	Stator GT2 16.5kVA (voltage?)	406101115	Flange SAE5 G series
	673390145..	Stator GT2 22.0kVA (voltage?)	26	30600106 Terminal board M6
	673390170..	Stator GT2 27.0kVA (voltage?)	30600108	Terminal board M8