

## 3 Phase

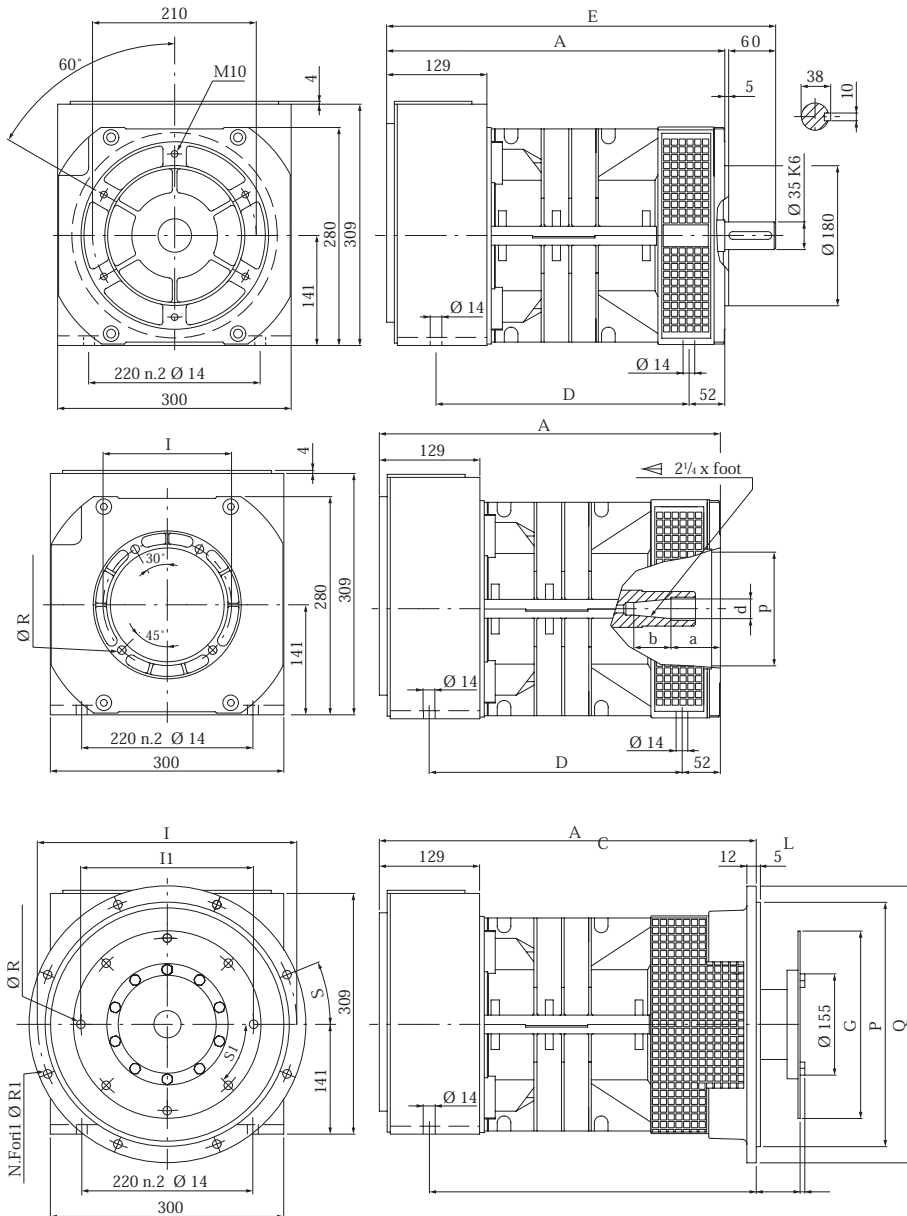
## 2 Pole

## GT2

### TECHNICAL DATA

TYPE	60 Hz - 3600 r.p.m. POWER			50 Hz - 3000 r.p.m. POWER			Weight	
	(kVA)	cosφ=0.8 (kW)	cosφ=0.8 (%)	(kVA)	cosφ=0.8 (kW)	cosφ=0.8 (%)	2 Bearing (kg)	SAE (kg)
GT2MAS	27.5	22	84	22	18	83	74	82
GT2MBS	34	27	86	27	21.6	85	84	92

### DIMENSIONS



2 BEARING B3/B14

Type	A	D	E
GK-M / GT-M	498	382	563

STYLE J609B

Type	A	D
GK-M / GT-M	498	382

Shaft			cod.
d	a	b	
35	12.4	71	F

Flange			
I	p	N.Holes	R
165	146.1	4	11
197	163.6	4	11
197	177.8	4	11

STYLE SAE

Type	A	C
GK-M / GT-M	545	481

SAE	Flange					
	Q	P	I	N.Holes	R1	S
4	405	362	381	12	11	15°
5	358	314.3	333.4	8	11	22°30'

SAE	Disk					
	L	G	I1	N.Holes	R	S1
6.5	30.2	215.9	200	6	9	60°
7.5	30.2	241.3	222.2	8	9	45°
8	62	263.5	244.5	6	11	60°
10	53.8	314.3	295.3	8	11	45°