

3 Phase

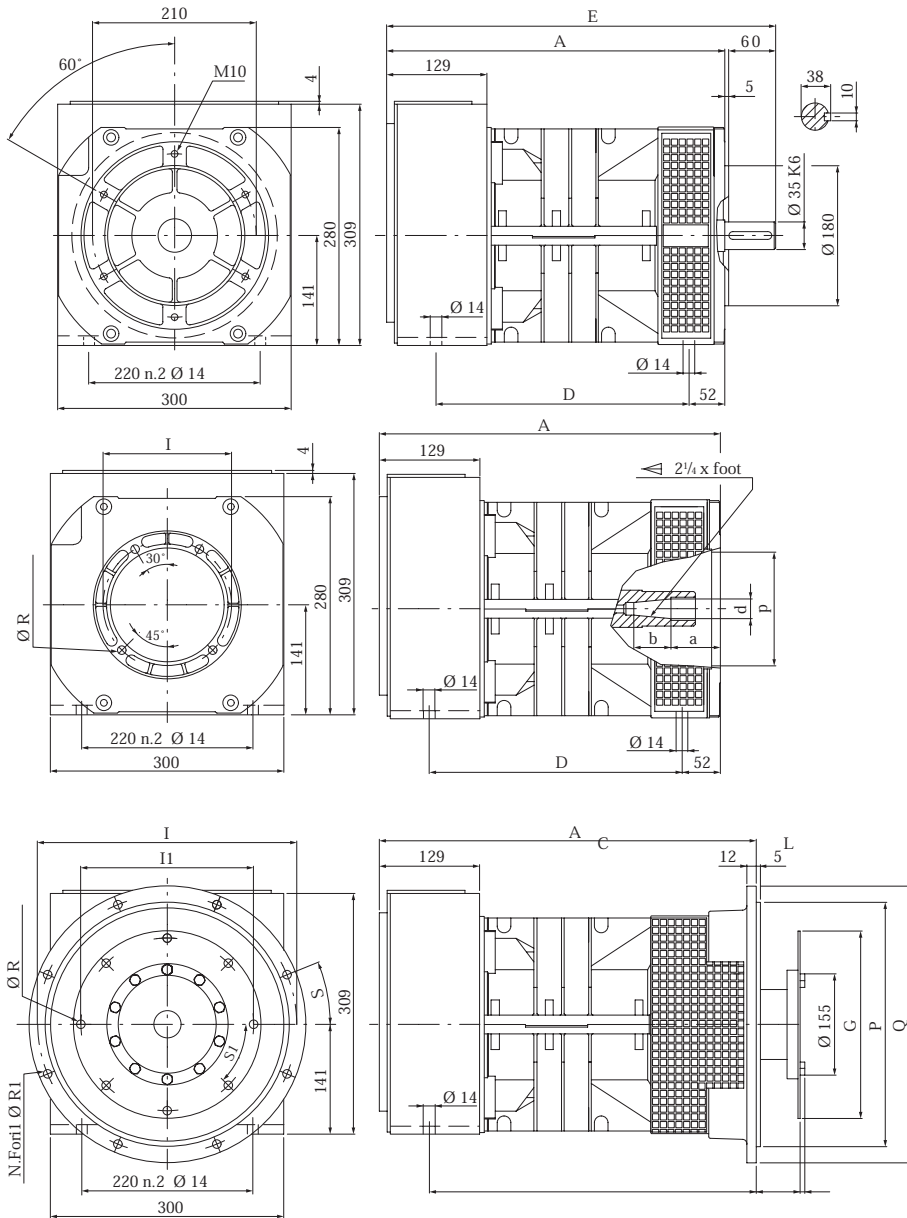
4 Pole

GT4

TECHNICAL DATA

MODEL	60 Hz - 1800 r.p.m.			50 Hz - 1500 r.p.m.			WEIGHT	
GT4MBS	20 kva	16 kw	83 %	16 kva	12.8 kw	82 %	2 Bearing 86	SAE 94

DIMENSIONS



2 BEARING B3/B14

Type	A	D	E
GK-M / GT-M	498	382	563

STYLE J609B

Type	A	D
GK-M / GT-M	498	382

Shaft			cod.
d	a	b	
35	12.4	71	F

Flange			
I	p	N.Holes	R
165	146.1	4	11
197	163.6	4	11
197	177.8	4	11

STYLE SAE

Type	A	C
GK-M / GT-M	545	481

SAE	Flange					
	Q	P	I	N.Holes	R1	S
4	405	362	381	12	11	15"
5	358	314.3	333.4	8	11	22'30"

SAE	Disk					
	L	G	I1	N.Holes	R	S1
6.5	30.2	215.9	200	6	9	60°
7.5	30.2	241.3	222.2	8	9	45°
8	62	263.5	244.5	6	11	60°
10	53.8	314.3	295.3	8	11	45°