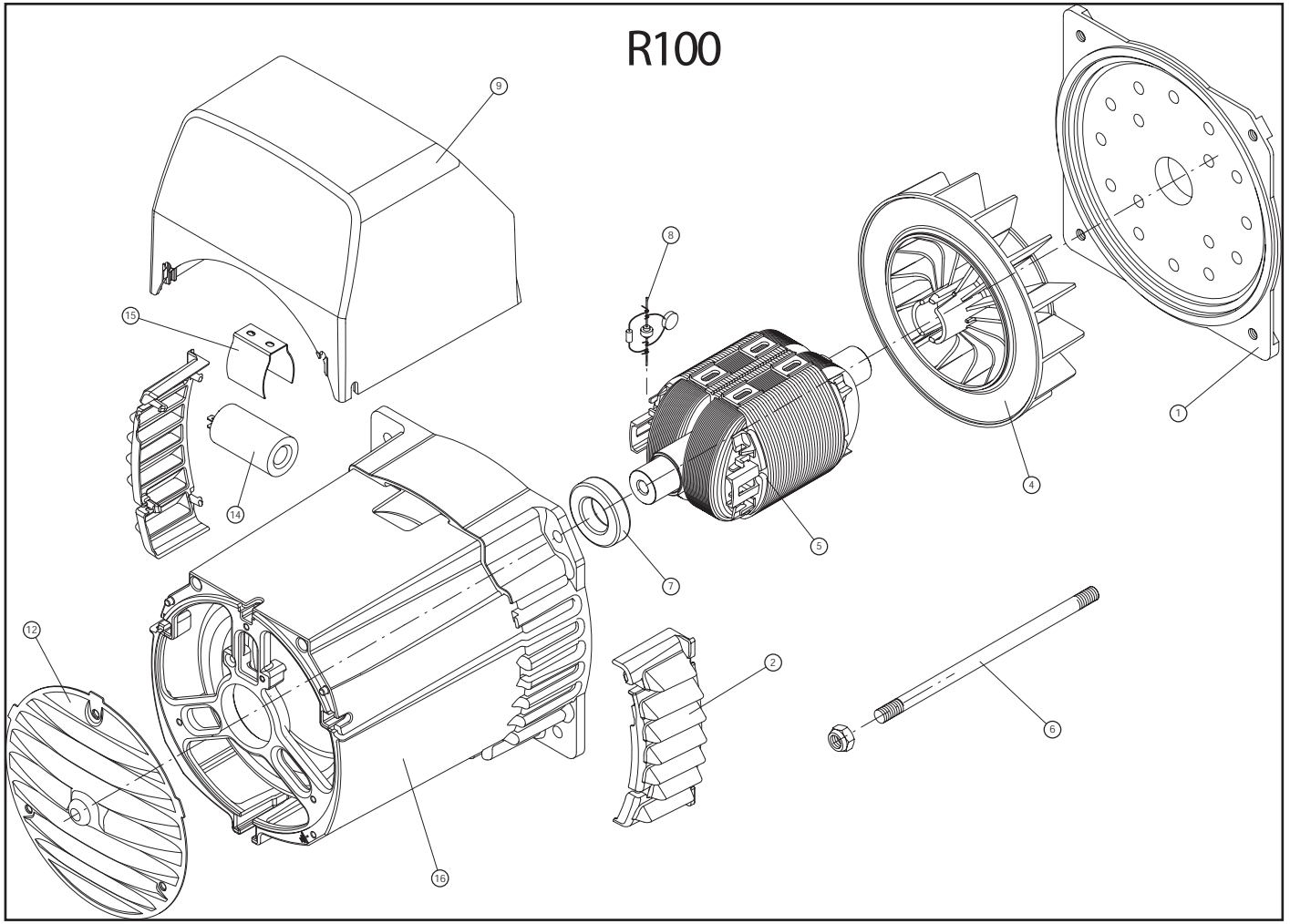


# R100



ITEM	PART NUMBER	DESCRIPTION	ITEM	PART NUMBER	DESCRIPTION
1(*)	406101107	Front Casting J609A	9(*)	706200000..	R100 topcover (capactor ?) -seeprice list
	406101116	Front Casting B9 c.23		7062...	R100 electrical panel-seeprice list
	406101108	Front Casting J609B	12	266022002	Rear grid
2	266022006-7	Frontgrids IP23	14(*)	300100020	Capactor 20µF 450V
4	266083008	Fan (with hole 25)		300100025	Capactor 25µF 450V
5(*)	R521276050.	Rotor R12SAS		300100030	Capactor 30µF 450V
	R521276060.	Rotor R12SBS	15	1790051	Capactor block spring
	R521276072.	Rotor R12SCS	16(*)	661333050..	Housing + Stat. R12SAS (voltage?)
	R521286072.	Rotor R12SBH		661333060..	Housing + Stat. R12SBS (voltage?)
6(*)	17600...	Shaftstay bot		661333072..	Housing + Stat. R12SCS (voltage?)
7	1750016005	Bearing - 6005C3		661334072..	Housing + Stat. R12SCH (voltage?)
8	79061	Diode + Varistor + EMC Capac.			
)					