

**1 Phase**

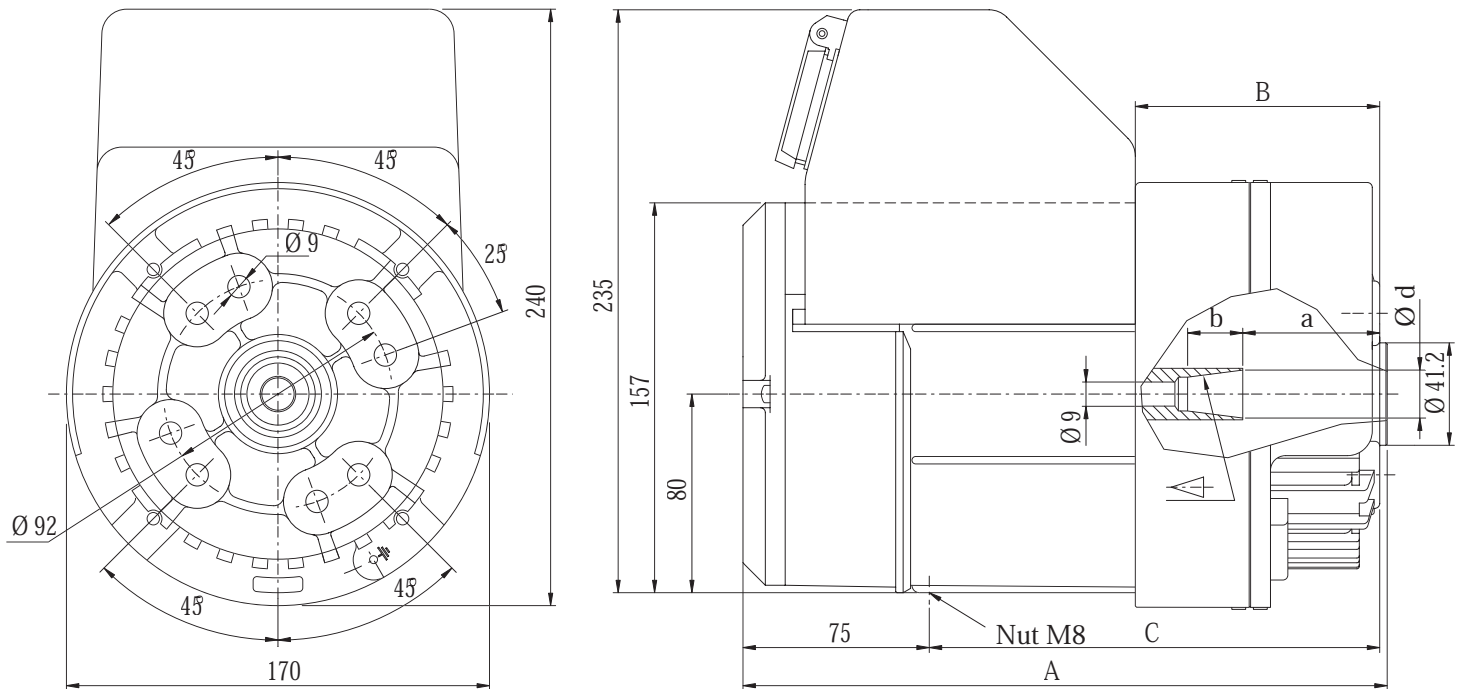
**2 Pole**

**R 80**

## TECHNICAL DATA

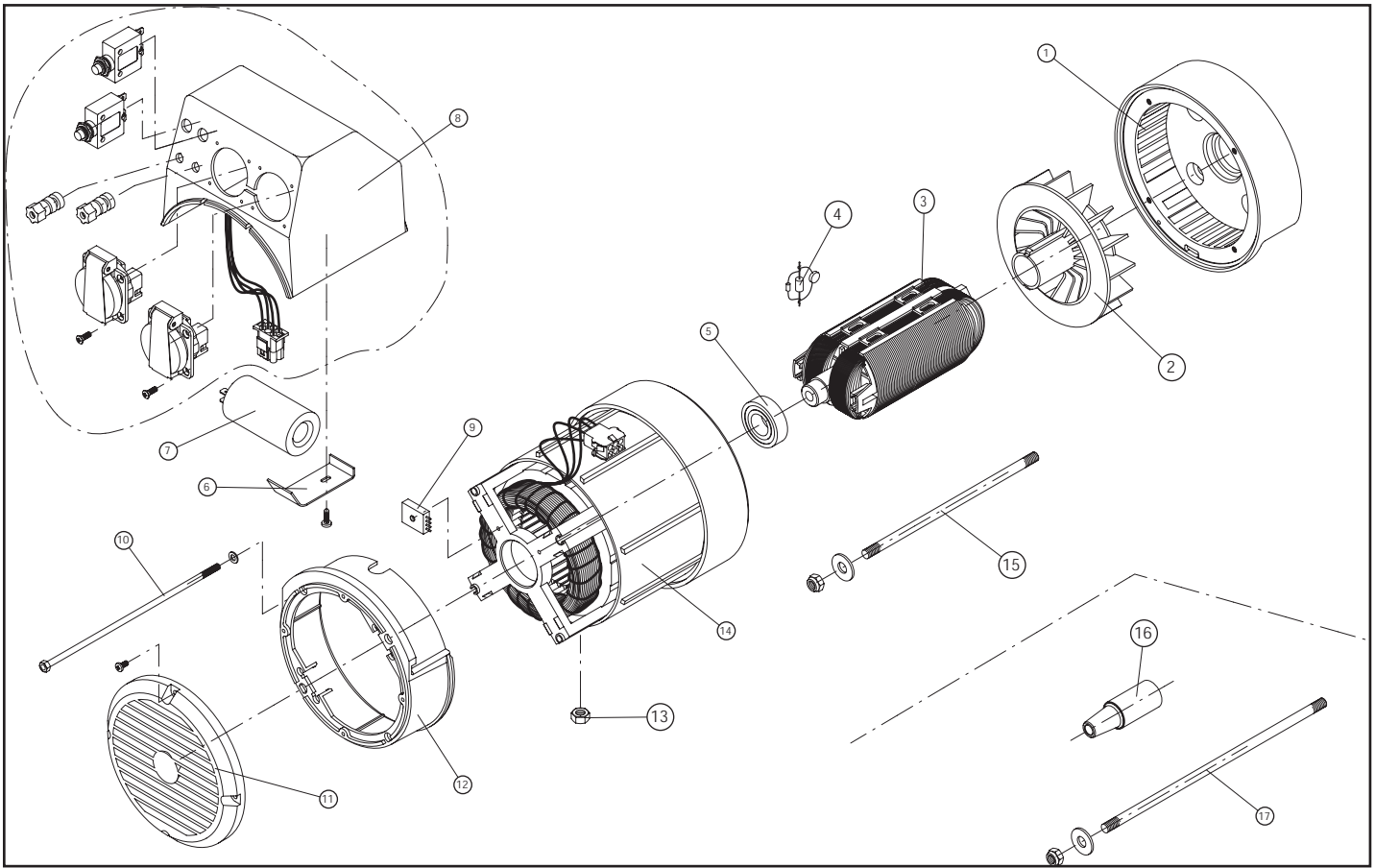
MODEL	60 Hz - 3600 r.p.m.		50 Hz - 3000 r.p.m.		Weight (kg)	DIMENSIONS (mm)		
	POWER (kVA)	$\eta$ 4/4 cos $\phi$ = 1	POWER (kVA)	$\eta$ 4/4 cos $\phi$ = 1		A	B	C
		(%)		(%)				
R80 MBL	1.5	69	1.2	68	9	221	60	143
R80 LAL	2	72	1.6	71	11.2	261	100	183
R80 LBL	2.7	75	2.2	73	13.8	261	100	183

## DIMENSIONS



Shaft Taper	d	a	b		Key
23	23	8	30	1:5	A
19	18.5	54.7	24	2 1/4x foot	C





ITEM	PART NUMBER	DESCRIPTION	ITEM	PART NUMBER	DESCRIPTION
1	406101111	Front shield R80 I J609A	14(*)	664363060.2	Housing M + Stat. R80 1.5
	266083006	Fan		664363060.3	Housing M + Stat. R80 2.0
3 (*)	524240060C	Rotor R80 1.5 (J609A) (1)		664363060.4	Housing M+Stat. R80 1.5+CB 12Vdc
	524240080C	Rotor R80 2.0 (J609A) (1)		664363060.6	Housing M+Stat. R80 2.0+CB 12Vdc
	524240105C	Rotor R80 2.7 (J609A) (1)		664363080.2	Housing L + Stat. R80 2.7
4	79061	Diode+Varistor+EMC Capacitor for R80		664363080.3	Housing L + Stat. R80 2.7
5	1750016004	Bearing - 6004 2RS C3		664363080.4	Housing L+Stat. R80 2.7+CB 12Vdc
7(*)	300100010	Capacitor 10µF 450V (R80 1.5)		664363080.6	Housing L+Stat. R80 12.7+CB 12Vdc(
	3001000125	Capacitor 12.5µF 450V (R80 2.05)		664363105.2	Housing L + Stat. R80 2.8
	300100016	Capacitor 16µF 450V (R80 2.7)		664363105.3	Housing L + Stat. R80 2.8
8(*)	7001..	R80 electrical panel (see price list)		664363105.4	Housing L+Stat. R80 2.8+CB 12Vdc
9	3004070250200	Rectifier bridge for battery charger		664363105.6	Housing L+Stat. R80 2.8+CB 12Vdc
10	176032164	Stay bolt M5x164 (R80 1.5)	15(*)	176001160	Stay bolt 160x5/16 24UNF (R80 1.5 J609A)
	176032204	Stay bolt M5x204 (R80 2.0-2.7)		176001195	Stay bolt 195x5/16 24UNF(R802.0 -2.7 J609A)
11	266012001	IP23 red end Panel (R80)	16	161008016	Adapter (R80 J609A-> B9c.23)
	266022001	IP23 black end Panel (R80)	17	176002210	Shaft stay bolt 210xM8
12	266054001	Red cover (R80)		176002250	Shaft stay bolt 250xM8
	266064004	Black cover (R80)			